

## HUNT TRADITIONAL HYDRONIC CAST IRON RANGE RADIATORS

SUPPLIED BY:



**HUNT**  
HEATING

EURO NORM  
**EN 442**

Traditional Cast Iron radiators have a great appeal to many people – the rough, rustic, almost unfinished surface provides great character for the home that requires special effects.

Sold by section, these radiators feature 4 or 6 columns with optional footed end sections.



**HUNT**  
HEATING

**10 YEAR\***  
**WARRANTY**



### FINISHES

Radiators are supplied undercoated white and are treated to resist atmospheric agents. This makes an ideal primer for the finishing coat of enamel in your colour choice.

### MEASUREMENTS

Available as 4 and 6 columns in various heights.

### LUDLOW FOOT



### FOOTED END SECTION



### SHOWROOM

11 Fiveways Boulevard  
Keysborough  
VIC 3173

**PHONE** 1300 00 1800

**FAX** (+613) 9798 5133

[enquiries@huntheat.com.au](mailto:enquiries@huntheat.com.au)



**HUNT HEATING**  
The smart choice.

[www.huntheat.com.au](http://www.huntheat.com.au)

# HUNT TRADITIONAL HYDRONIC CAST IRON RANGE Outputs & Dimensions

Tables based on  $\Delta T$  60 - Mean water temperature in radiator of 80°C and room temperature of 20°C.  
 $\Delta T$  50 - mean water temperature in radiator of 70°C and room temperature of 20°C.

Model	Output Kw		# Columns	Height	Depth	Max # Sections	Section Widths
	$\Delta t$ 60	$\Delta t$ 50					
LBT 300-4	0.055	0.043	4	300	144	30	60
LBT 415-4	0.082	0.065	4	415	144	30	60
LBT 600-4	0.118	0.093	4	600	144	30	60
LBT 700-4	0.137	0.108	4	700	144	30	60
LBT 900-4	0.176	0.139	4	900	144	30	60
LBT 425-6	0.121	0.095	6	425	221	30	60
LBT 600-6	0.169	0.133	6	600	221	30	60
LBT 700-6	0.190	0.151	6	700	221	30	60
LBT 899-6	0.248	0.197	6	899	221	30	60

Note: radiators to be ordered with feet and wall brackets as appropriate

## NOTES:

Total length of radiator equals number of sections x 60mm. Add 15mm extra for plugs to either end of the radiator (30mm overall).

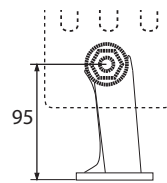
Central distance of pipework equals total length including plugs plus 90mm for the radiator valves (depending on valves used).

To calculate centre line of valves from wall, take radiator depth off table above and divide by two, add bracket depth required (options of 30,45 & 60mm) for total off wall.

Position wall brackets 150mm down from top of radiator as shown.

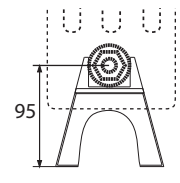
Care should be taken when specifying larger sections, as the total weight may exceed practical limits.

### Type A



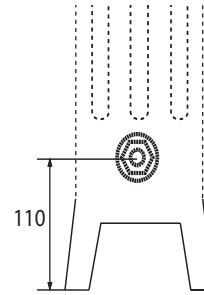
**LBT FOOT**  
not suitable in use over 4 section

### Type B



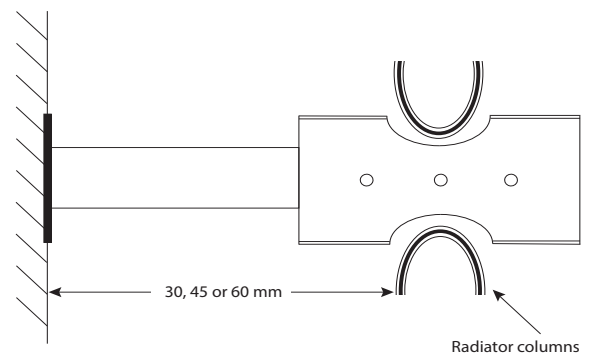
**RADIATOR FOOT**

### Type D



**RADIATOR FOOTED SECTION**

MOUNTING OPTIONS		
Up to 20 Sections	21 - 29 Sections (odd number of sections)	22 - 40 Sections (even number of sections)
2 Feet/Footed Sections	3 Feet/Footed Sections	4 Feet/Footed Sections
2 Wall Brackets	3 Wall Brackets	4 Wall Brackets



## WALL BRACKET

Adjustable to 3 positions - measurements are from wall to back of radiator.