

AUDAX TOP ERP HYDRONIC HEAT PUMP

MANUFACTURED BY:



AUDAX TOP ErP heat pumps allow more and more advanced solutions in any domestic environment both for heating and cooling and for the production of domestic hot water. The new range of Immergas heat pumps are air-water heat pumps with inverter technology, ideal for stand-alone systems but even in combination with integrated equipment and hybrid systems.

HYDROTHERM HYDRONIC HEATING

Melbourne Hydronic Heating Specialists

7 YEAR*
WARRANTY



AUDAX TOP ErP

- 3 single-phase versions, 1 three-phase version
- Compatible with external storage tank
- Compatible with gas heating boiler
- Electronic thermal expansion valve
- Modulating fan
- Low consumption system pump
- Gas/Water heat exchanger, expansion vessel, water flow-switch and 3 bar safety valve
- Equipped with remote control (thermostat function class VI), Y water filter 1", condensate drain fitting and antivibration supports
- Pre-loaded refrigerant fluid R410A

HEAT PUMP THERMOSTAT & CONTROLLER



HORIZONTAL BUFFER TANK



SHOWROOM

96 Commercial Drive
Thomastown
VIC 3074

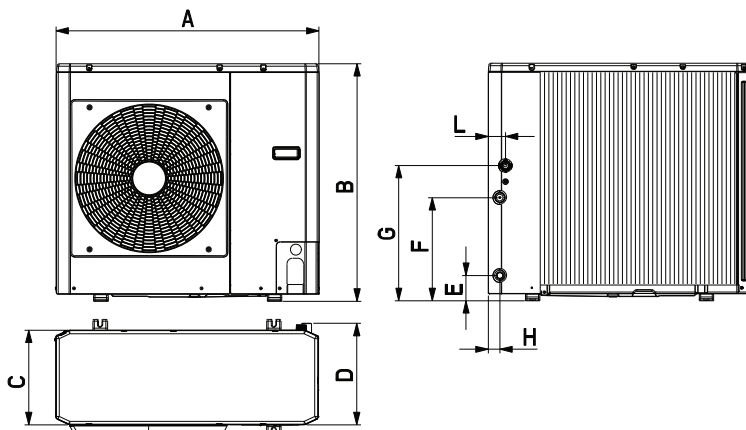
PHONE (03) 9464 4622

enquiries@nissleicherheating.com.au

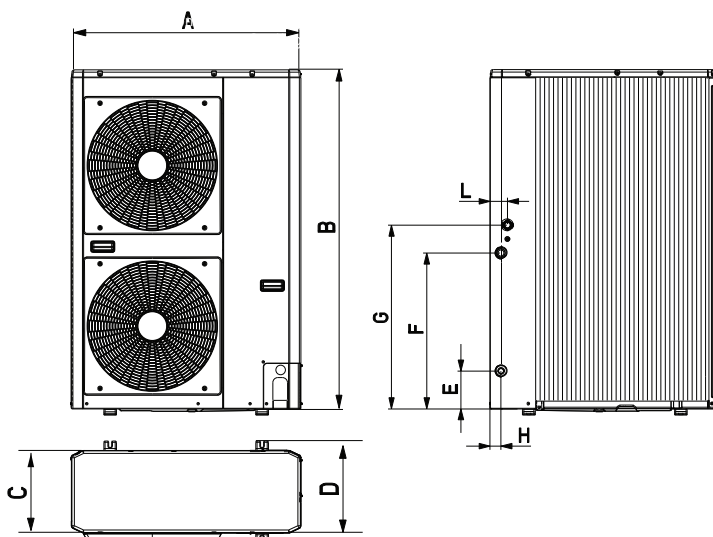
HYDROTHERM HYDRONIC HEATING

www.hydrothermhydronic.com.au

Technical data	Unit of measurement	AUDAX TOP 6 ErP	AUDAX TOP 8 ErP	AUDAX TOP 12 ErP	AUDAX TOP 16 ErP
Code		3.025557	3.025558	3.025560	3.025562
Heating Output*	kW	5.76	7.16	11.86	15.00
Coefficient of Performance (heating)*		4.28	3.97	3.95	4.20
Cooling Output*	kW	7.04	7.84	13.54	16.00
Energy Efficiency Ratio (cooling)*		3.70	3.99	3.66	3.81
Max. noise level	dB	62	64	67	68
Outdoor temperature operating range (heating)	°C	-20 / 30	-20 / 30	-20 / 30	-20 / 30
Outdoor temperature operating range (cooling)	°C	5 / 46	0 / 46	0 / 46	0 / 46
Power supply		1 Phase	1 Phase	1 Phase	3 Phase
Max. power absorbed	kW	2.0	2.7	3.85	6.5
Max. current absorbed	A	11.0	14.5	20.7	11.1
Refrigerant Gas		R410A	R410A	R410A	R410A
Refrigerant gas volume	kg	1.35	1.81	2.45	3.385
Max. water delivery temperature	°C	60	60	60	60
Water content	l	1	1.2	2.5	2.5
Expansion vessel volume	l	2	2	3	3
Hydraulic circuit maximum pressure	kPa	300	300	300	300
System flow and return connections	inch	1	1	1	1
Weight	kg	61	69	104	116



AUDAX TOP 6kW / 8kW	
A	908 mm
B	821 mm
C	326 mm
D	350 mm
E	87 mm
F	356 mm
G	466 mm
H	40 mm
L	60 mm



AUDAX TOP 12kW / 16kW	
A	908 mm
B	1363 mm
C	326 mm
D	350 mm
E	174 mm
F	640 mm
G	750 mm
H	44 mm
L	69 mm

HYDROTHERM
HYDRONIC HEATING